

TESTING INSTRUMENTS FOR QUALITY CONTROL

# FX 3500

## CombiScan

On-line Tester



**TEXTTEST**  
**INSTRUMENTS**

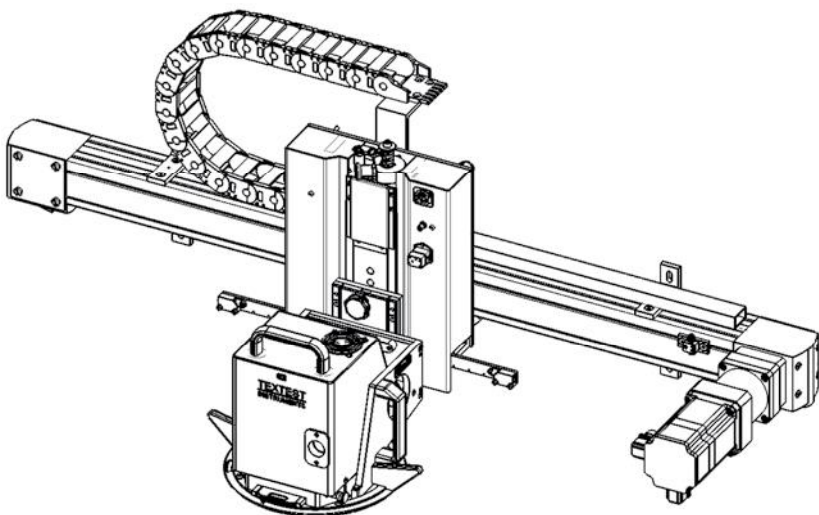
# FX 3500 CombiScan - with many **benefits**

The FX 3500 CombiScan is used for **continuous** measurement of the air permeability, pressure drop, and  $\Delta$  on request  $\Delta$  thickness at the moving web. The instrument can be integrated directly into a production line. The traversing test head provides  $\Delta$  depending on the line speed  $\Delta$  a **high-density zigzag profile**. After termination of each measurement, a comprehensive, but still well-arranged test protocol can be generated.



## **Benefit thanks to added value**

An on-line measurement provides a great deal of added value, for example by avoiding scrap material, saving time when establishing the machine settings after a style change, saving labor cost, and improving quality.



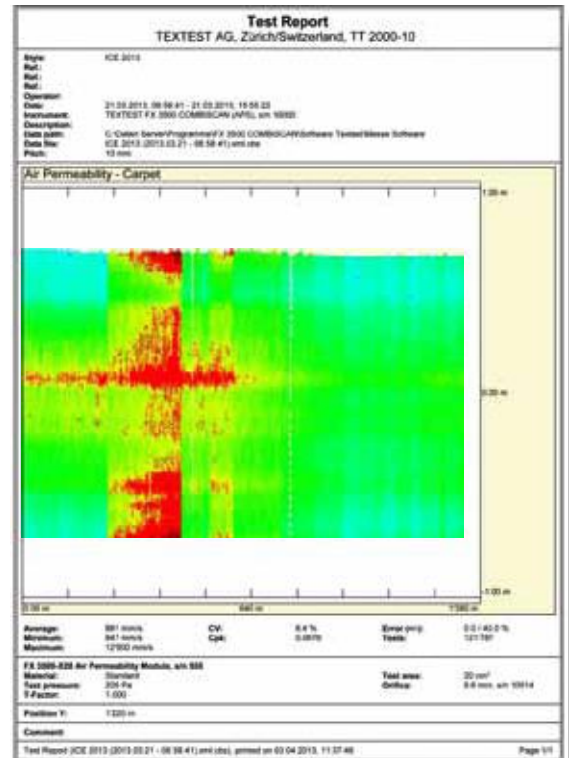
---

## **Benefit thanks to flexibility**

The FX 3500 CombiScan is available in different versions: as a stand-alone unit with frame, feet, and idle rollers, or as a compact unit for production lines with limited space. A wide web? Up to 20 meters no problem! The robust construction ensures a high degree of reliability.

## Benefit thanks to accuracy

The instrument measures reliably, even at high line speeds. Highly precise pressure sensors provide for an excellent measuring accuracy and reproducibility of the test results.



## Benefit thanks to data link

The test data is available in different formats for automatic control of the production machine. Whether by means of an analog signal, XML file, or various fieldbuses, a data link to the control unit of the production line is possible and increases the efficiency.

## Benefit thanks to real-time results

The results are available in real-time, that is at a time when the production process can still be influenced. The test data is displayed continuously on the PC screen both, numerically and graphically. Due to the permanent comparison with the control range, any quality problem is visible immediately and at one glance.

# Technical specifications FX 3500 CombiScan

Air permeability:	Measuring range:	1 ... 5,000 mm/s (0.2 ... 1,000 cfm)
	Test area:	20 cm <sup>2</sup>
	Test pressure:	98 ... 500 Pa
	Units of measure:	mm/s, l/m <sup>2</sup> /s, l/dm <sup>2</sup> /min, cfm, cm <sup>3</sup> /cm <sup>2</sup> /s, m <sup>3</sup> /m <sup>2</sup> /h, m <sup>3</sup> /m <sup>2</sup> /min, and m <sup>3</sup> /m <sup>2</sup> /s
	Measuring accuracy:	Better than ± 3 % of the displayed value
Pressure drop:	Measuring range:	0.01 ... 65,000 Pa
	Test area:	20 cm <sup>2</sup>
	Air velocity:	0.001 ... 10 m/s
	Unit of measure:	Pa
Thickness:	Measuring range:	0 ... 6 mm
	Test area:	10, 20 or 25 cm <sup>2</sup>
	Contact force:	100 ... 500 cN
	Units of measure:	mm, µm, and mil
	Measuring accuracy:	± 0.02 mm ± 0.5 % of the displayed value
General:	Test point pitch:	1 ... 100 mm (0.04 ... 4")
	Max. sampling rate per test head:	1,000 test results per second
	Max. web width:	4,000 mm (air permeability only: 20,000 mm)
	Power requirements:	230 V, 50/60 Hz, 2,000 W
	Compressed air supply:	6 ... 8 bar

The PC, which is required for control of the instrument, and for display, evaluation, documentation, and storage of the test results, is not part of the scope of supply. However, the necessary software is included.

Technical data subject to change.



**TEXTTEST**  
**INSTRUMENTS**

TEXTTEST AG  
Sonnenbergstrasse 72  
CH-8603 Schwerzenbach  
Switzerland

T +41 (0)44 321 21 41  
F +41 (0)44 321 21 43  
info@texttest.ch  
www.texttest.ch

[www.texttest.ch](http://www.texttest.ch)