
According EN 388:2016



Available in 2 versions:

- "Basic" – For standard testing – quality control - according EN 388. One speed and one test weight of 5N.
- "Expert" – Additional features for R&D. The standard counter is replaced by an advanced controller, allowing for a.o. variable speed settings. Possibility to change test weights.

Both versions use the same test principle as the 1st Generation, but offer better performance in terms of reproducibility and reliability and are easier to maintain.

Principle

The **SODEMAT** Coup Test is originally designed to test the cutting resistance of protective gloves by comparison with a control fabric, according EN 388.

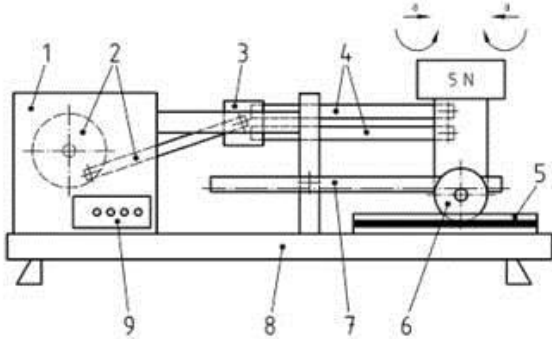
This measurement is based on comparison between results obtained on a control sample and those obtained on a test sample. A circular blade which has an alternative rotational movement and a linear movement is put on the control sample with a pressure of 5 N.

A counter will count every tenth of a cycle until the blade makes contact with the conductive sub-layer material and the Tester will then automatically stop.

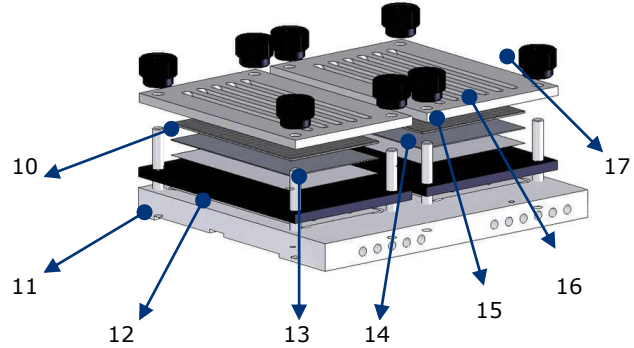
Improved Features

- The blade rotation and movement of the driving system is the same as from the 1st Generation Coup Test. In the 2nd Generation model, the original system has been improved to ensure a constant load during the complete test cycle.
- Two sample holders, allowing an efficient, time saving, operation.
- Easy access to the cutting head. Removing only one screw for lifting the hood.
- The new design has made the blade protection redundant. No access to the blade, during the test.
- Easy blade replacement, because the blade rotation is locked when the instrument is stopped.
- Fast installation of the sample and control fabric.
- The Coup Test can be calibrated, variable test speed available as an option.

Specifications



- | | |
|-------------------|------------------|
| 1. Sensor limit | 5. Sample holder |
| 2. Driving system | 6. Test blade |
| 3. Crosshead | 7. Rack |
| 4. Connecting rod | 8. Baseplate |
| | 9. Counter |



- | | |
|-----------------------|-----------------------|
| 10. Test sample | 14. Filter paper |
| 11. Insulated support | 15. Control fabric |
| 12. Conductive rubber | 16. Upper cover plate |
| 13. Aluminium foil | 17. Quick lock screws |

2 versions available

"BASIC" – order ref. SO39-00

Improved version of the original Coup test with a basic cycle counter.

- ⊕ Single speed and single weight (5N)

Scope of supply (both versions)

- ⊕ Cutting templates (2 sizes)
- ⊕ 2 cutting blades
- ⊕ User manual
- ⊕ Calibration certificate
- ⊕ CE certificate

"Expert" – order ref. S170-00

Extended features by use of an advanced controller for configurable test settings.

- ⊕ Variable speed, interchangeable weights (5N supplied, others to be ordered separately)



"Expert" controller

Consumables (according EN 388)

- ⊕ Standard Fabric (5m²) necessary for performing tests, with certificate of compliancy
- ⊕ Cutting blade for test – set of 5
- ⊕ Conductive rubber– set of 4 (2 small & 2 large)



Technical characteristics

- | | |
|-----------------------------|--------------------------------|
| ⊕ Weight | : 23 kg |
| ⊕ Dimension – w x h x d | : 356 x 225 x 424 mm |
| ⊕ Electric supply | : 220V, 50Hz, or 110V, 60Hz, |
| ⊕ Speed | : 0.1 to 10 cm.s ⁻¹ |
| ⊕ Sample dimensions | : 130 x 80 cm |
| ⊕ Control fabric dimensions | : 130 x 90 cm |
| ⊕ Maximum samples thickness | : 7 mm |

* We reserve the right to alter the specifications or modify the appearance without notice.